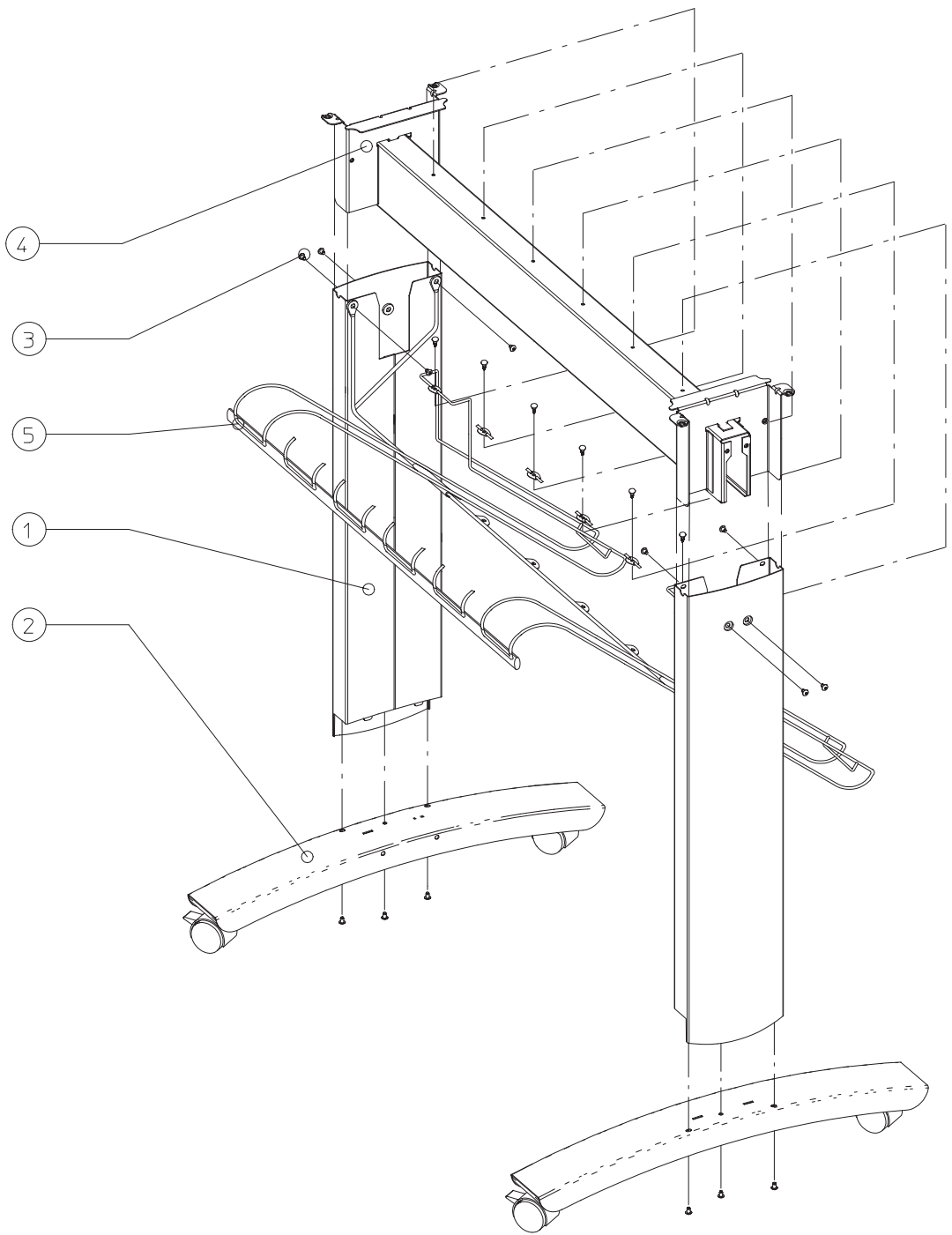


---

Parts and Diagrams

Legs

Reference on Drawing	HP Part Number	Quantity	Description
1	C3192-60002	2	Legs Assembly
2	C3192-60003	2	Foot Assebmly
3	C4696-60002	1	Hardware Kit
4	C3192-60001	1	X Brace Assembly (D/A1-size)
	C3193-60001	1	X Brace Assembly (E/A0-size)
5	C3195-60052	1	Paper Diverter Assembly (D/A1-size)
	C3196-60052	1	Paper Diverter Assembly (E/A0-size)

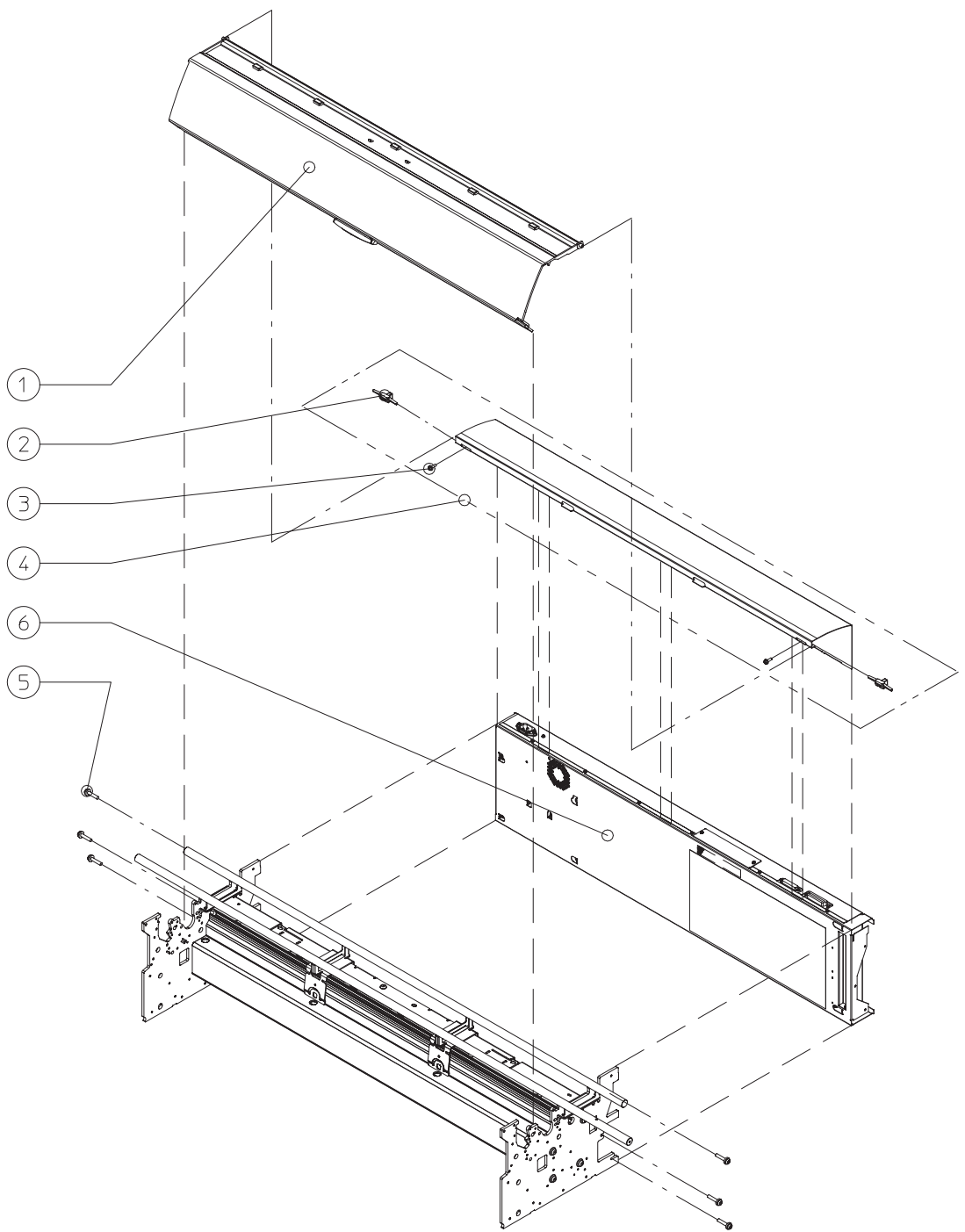


Legs

Window and Back Cover Assemblies

Reference on Drawing	HP Part Number	Quantity	Description
■ 1	C4705-60087	1	Window Assembly (D/A1-size)
■	C4706-60087	1	Window Assembly (E/A0-size)
2	C3195-40060	1	Center Cover Latch
3	0624-0771	1	Screw
4	C3195-60039	1	Center Cover Assembly (D/A1-size)
	C3196-60039	1	Center Cover Assembly (E/A0-size)
■	C4705-60088	1	Unicover Assembly (D/A1-size) *
■	C4706-60088	1	Unicover Assembly (E/A0-size) *
5	0515-2248	6	Screw
■ 6	C4705-60092	1	Electrical Enclosure Assembly (D/A1-size)
■	C4706-60092	1	Electrical Enclosure Assembly (E/A0-size)
-	C3195-00057	1	Safety Label

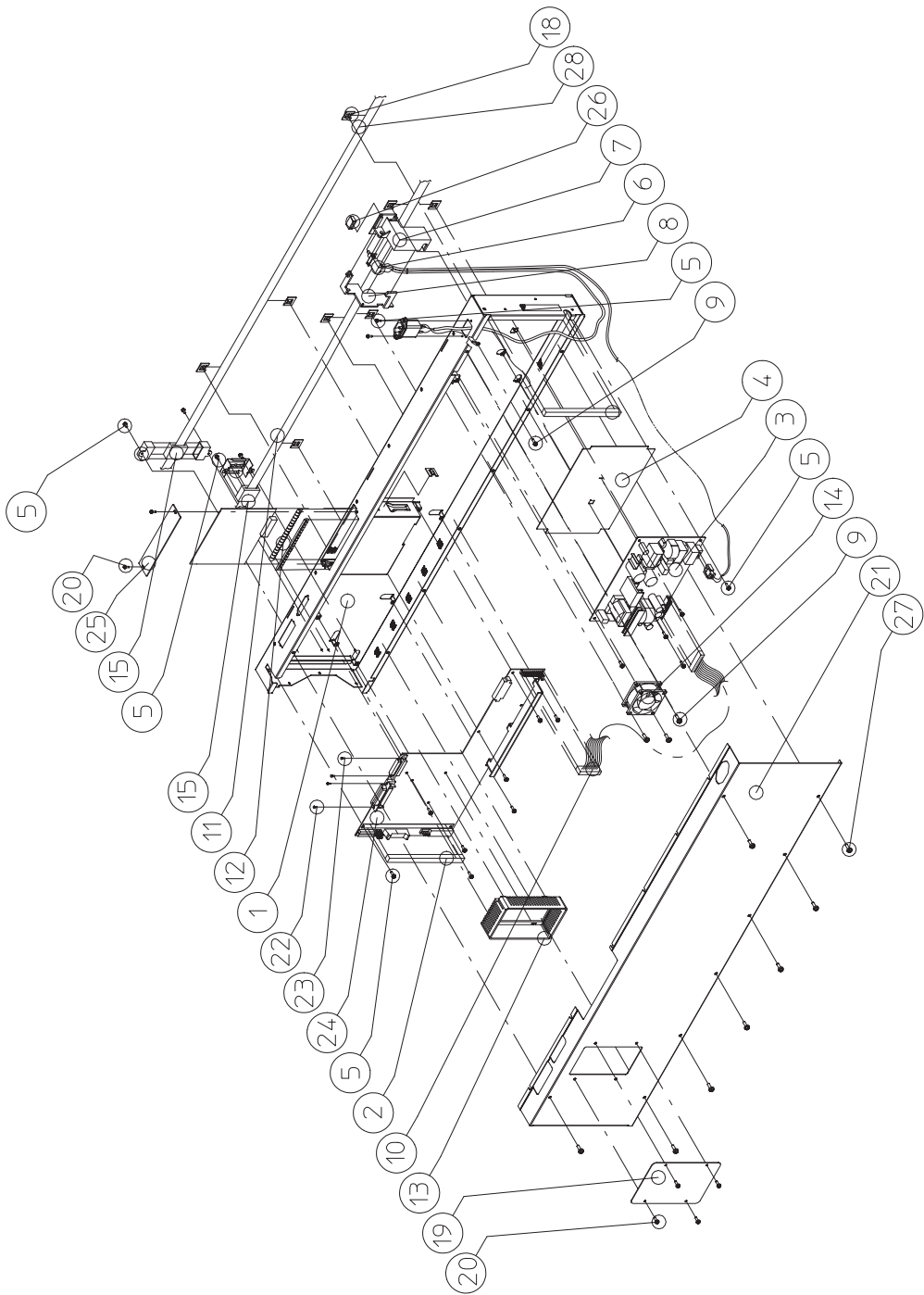
\* - The Unicover Assembly is only applicable to units that have the Unicover Assembly installed already. If the Unit has the Center Cover and the Electrical Cover Assembly installed, then the Unicover Assembly should **NOT** be installed. When the Unicover Assembly is installed, it is **NOT** necessary to install the Center Cover, the Electrical Cover Assembly, SIMM Barrier or the SIMM Cover, since these parts are incorporated in the Unicover Assembly. Note that the Unicover is Plastic and the other parts are Metallic, so this is a way to distinguish the different parts.



Window and Back Cover Assemblies

Electronics Enclosure

Reference on Drawing	HP Part Number	Quantity	Description
■ 1	C4705-60092	1	Electronics Enclosure Assembly (D/A1-size)
■	C4706-60092	1	Electronics Enclosure Assembly (E/A0-size)
■ 2	Deleted		
3	0950-2623	1	Power Supply
4	C3190-00016	1	Power Supply Insulator
5	0515-2200	-	Screw
6	C3195-60149	1	Wiring Harness
7	C3180-40012	1	Switch Mount
8	C3195-40047	1	Switch Mount Cap
9	0515-2282	-	Grounding Screw
10	C3195-60056	1	Power Cable (D/A1-size)
	C3196-60056	1	Power Cable (E/A0-size)
11	C3195-60057	1	Cable Assembly (D/A1-size)
	C3196-60057	1	Cable Assembly (E/A0-size)
12	8160-0770	1	MIO Shield
■ 13	C4704-40050	1	SIMM Barrier (included with Unicover)
14	C3190-60137	1	Fan Assembly
15	9170-1618	1	Ferrite
16	Deleted		
17	Deleted		
18	1400-1021	1	Cable Clip
■ 19	C3195-00009	1	SIMM Cover (included with Unicover)

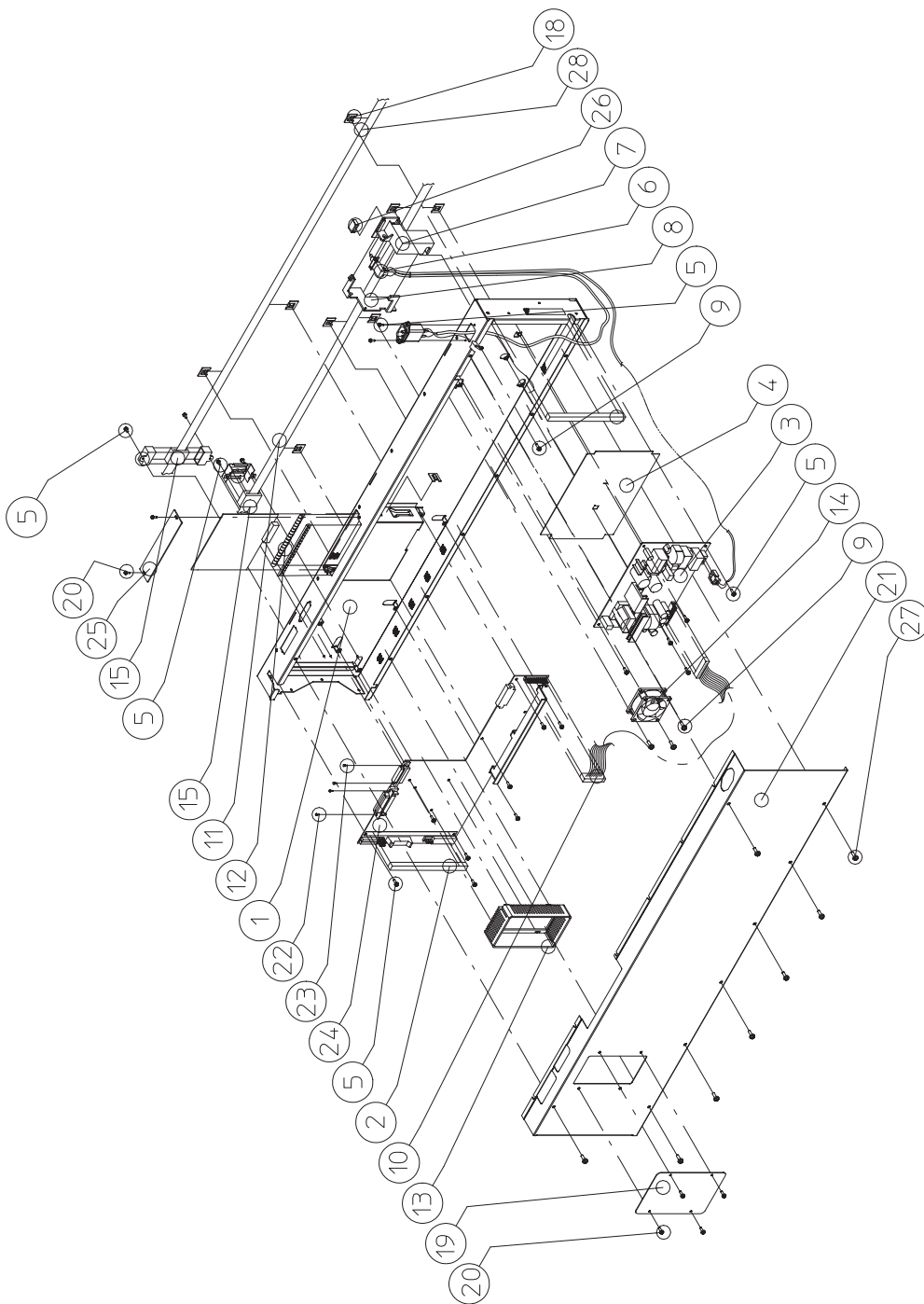


Electronics Enclosure

Electronics Enclosure (Continued)

Reference on Drawing	HP Part Number	Quantity	Description
20	0515-2246	1	Screw
21	C3195-60053	1	Electrical Cover Assembly (D/A1-size)
	C3196-60053	1	Electrical Cover Assembly (E/A0-size)
■	C4705-60088	1	Unicover Assembly (D/A1-size) * see page 11-4
■	C4706-60088	1	Unicover Assembly (E/A0-size) * see page 11-4
22	0515-1084	1	Screw
23	0570-1316	1	Screw
24	C4705-60001	1	Main PCA (New) (HP DesignJet 700)
	C4705-69001	1	Main PCA (Rebuilt) (HP DesignJet 700)
	C4708-60001	1	Main PCA (New) (HP DesignJet 750C Plus/755CM)
	C4708-69001	1	Main PCA (Rebuilt) (HP DesignJet 750C Plus/755CM)
	C3195-69101	1	Main PCA (HP DesignJet 750C)
■ 25	C1633-00031	1	MIO Cover (When MIO Card not Installed)
■	J2551-61015	1	MIO Card (When MIO Cover not Installed)
26	5041-1203	1	Switch Button
27	0515-0382	1	Screw
■ -	C4705-60111	1	Code SIMM (HP DesignJet 700)
■ -	C3195-60151	1	Code SIMM (HP DesignJet 750C)
■ -	C4708-60111	1	Code SIMM (HP DesignJet 750C Plus/755CM)
■ -	C3198-60151	1	Postscript SIMM
-	5961-3524	1	Serial Number
28	C3195-80009	1	Trailing Cable

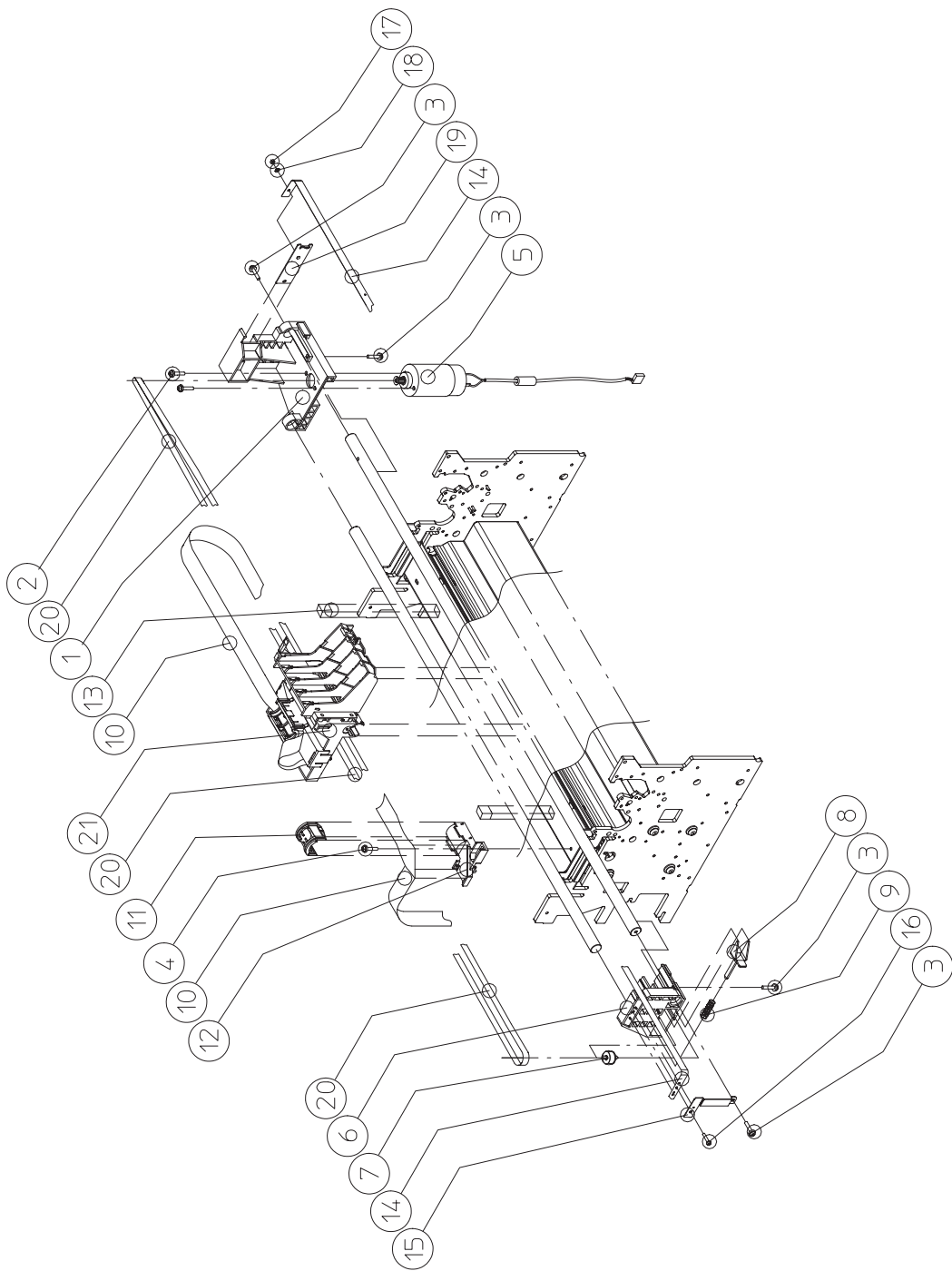




Electronics Enclosure

Carriage-Axis

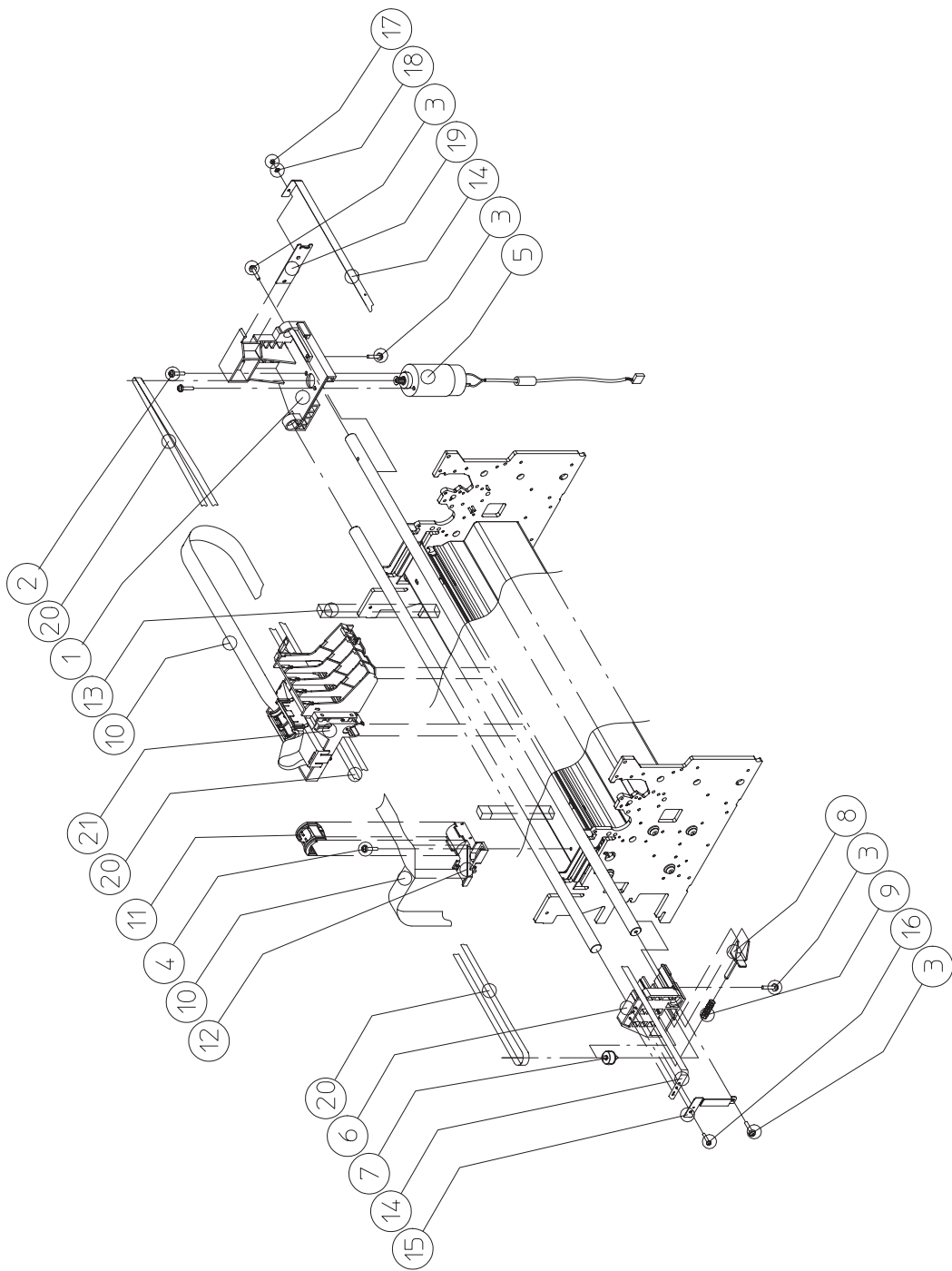
Reference on Drawing	HP Part Number	Quantity	Description
1	C3195-40017	1	Right Bracket
2	0515-0382	1	Screw
3	0515-2521	1	Screw
4	0515-2248	1	Screw
5	C3195-60112	1	Y-axis Motor
6	C3195-40014	1	Left Bracket
■ 7	C3195-60169	1	Pulley Assembly
8	C3195-40039	1	Wedge Tensioner
9	C3195-80002	1	Spring
10	C3195-80009	1	Trailing Cable
11	C3195-40024	1	Trailing Cable Clip
12	C3195-40025	1	Trailing Cable Bracket
13	C3195-40053	1	Bridge Foam
■ 14	C4713-60098	1	Encoder Strip Assy (D/A1-size) (Includes Item 19)
■	C4714-60098	1	Encoder Strip Assy (E/A0-size) (Includes Item 19)



Carriage-Axis

Carriage-Axis (Continued)

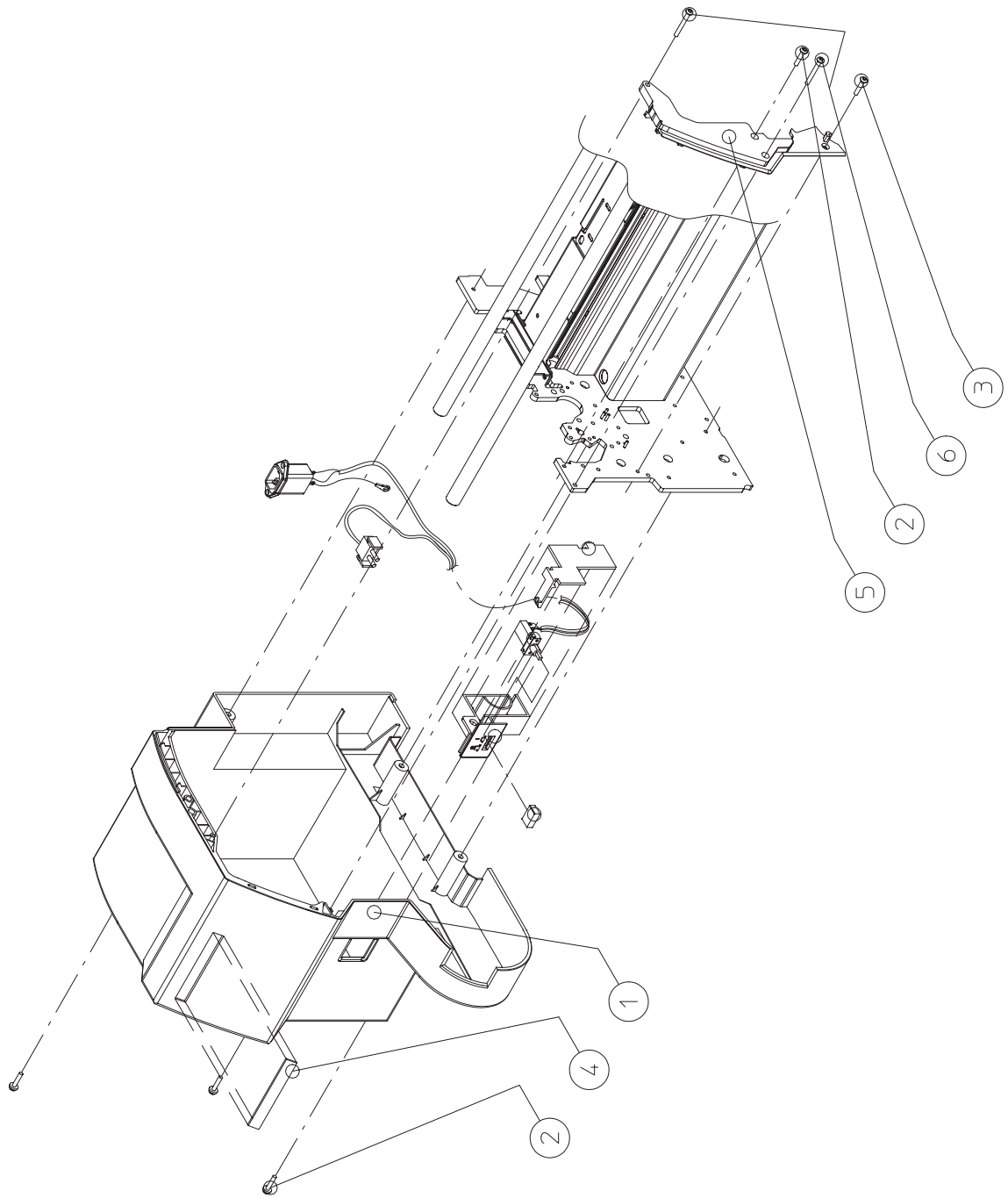
Reference on Drawing	HP Part Number	Quantity	Description
15	C3195-00013	1	Ground Bracket
16	0624-0704	1	Screw
17	0535-0031	1	Nut
18	3050-0026	1	Flat Washer
■ 19	C4699-00016	1	Spring
■ 20	C4705-60082	1	Carriage Belt (D/A1-size)
■	C4706-60082	1	Carriage Belt (E/A0-size)
21	C4705-60054	1	Carriage Assembly (HP DesignJet 700)
	C3195-60143	1	Carriage Assembly (HP DesignJet 750C/750C Plus/755CM)
■ -	C3195-40066	1	Fan Deflector (Only applicable to the E-size Printers) <b>For Information regarding this part, refer to Service Note: C3196A-05 or C3198A-03</b>



Carriage-Axis

Left End-Cover and Trim

Reference on Drawing	HP Part Number	Quantity	Description
1	C3195-40007	1	Left End-Cover
2	0515-2337	1	Screw
3	0515-2250	1	Screw
■ 4	C4705-00020	1	Nameplate (HP DesignJet 700)
	C3195-00019	1	Nameplate (HP DesignJet 750C)
■	C4708-00020	1	Nameplate (HP DesignJet 750C <del>MA</del> )
■	C3198-00020	1	Nameplate (HP DesignJet 755CM)
5	C3195-40029	1	Left Trim
6	0624-0771	1	Screw

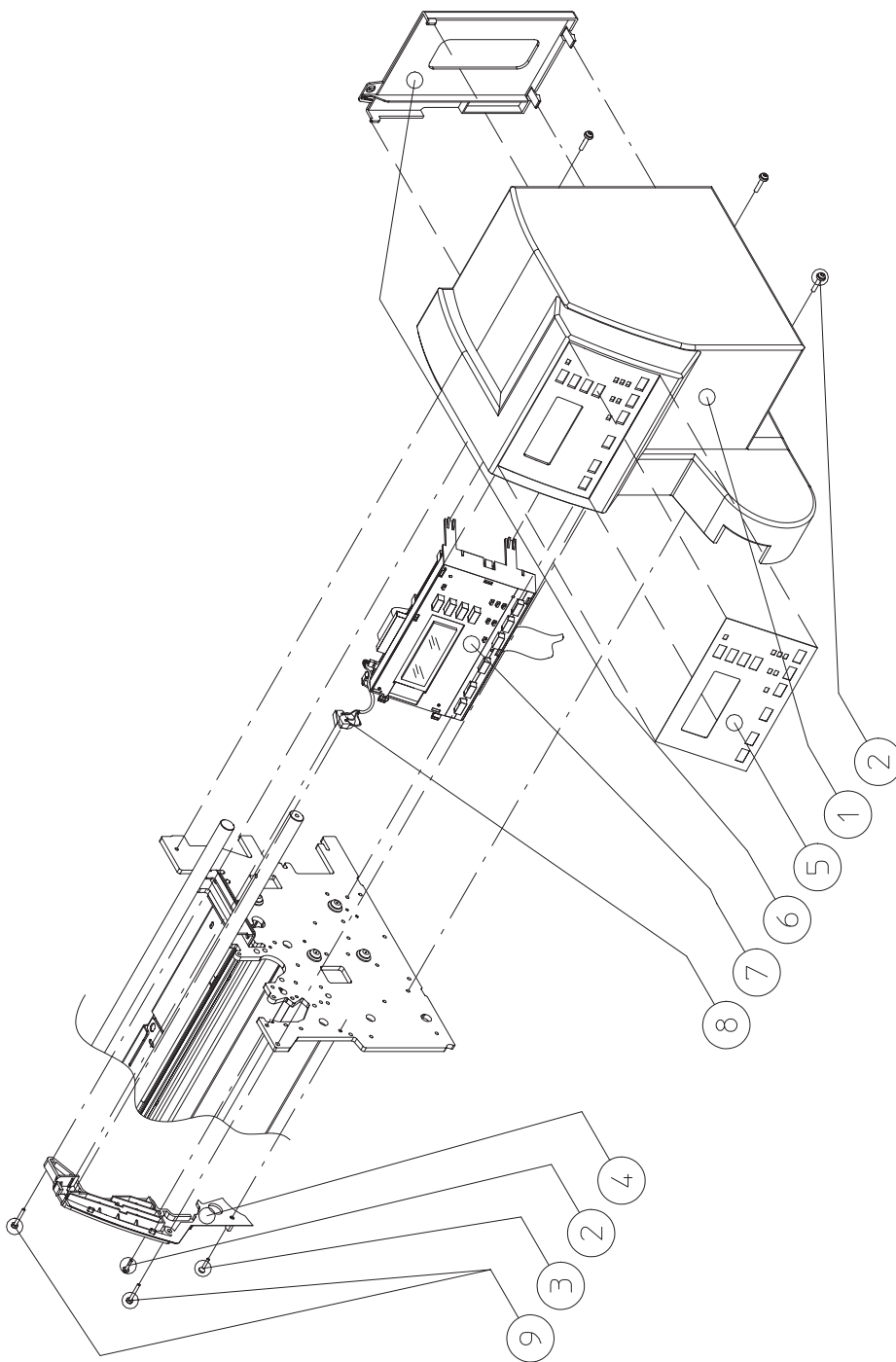


Left End-Cover and Trim

Right End-Cover and Trim

Reference on Drawing	HP Part Number	Quantity	Description
1	C3195-40006	1	Right End-Cover
2	0515-2337	1	Screw
3	0515-2250	1	Screw
4	C3195-40030	1	Right Trim
5	See Page 11-35	1	Front-Panel Overlay
■ 6	C4705-60085	1	QRG Holder
7	C3195-60038	1	Front-Panel Assembly
8	C3195-60015	1	Window Sensor Assembly
9	0624-0771	1	Screw

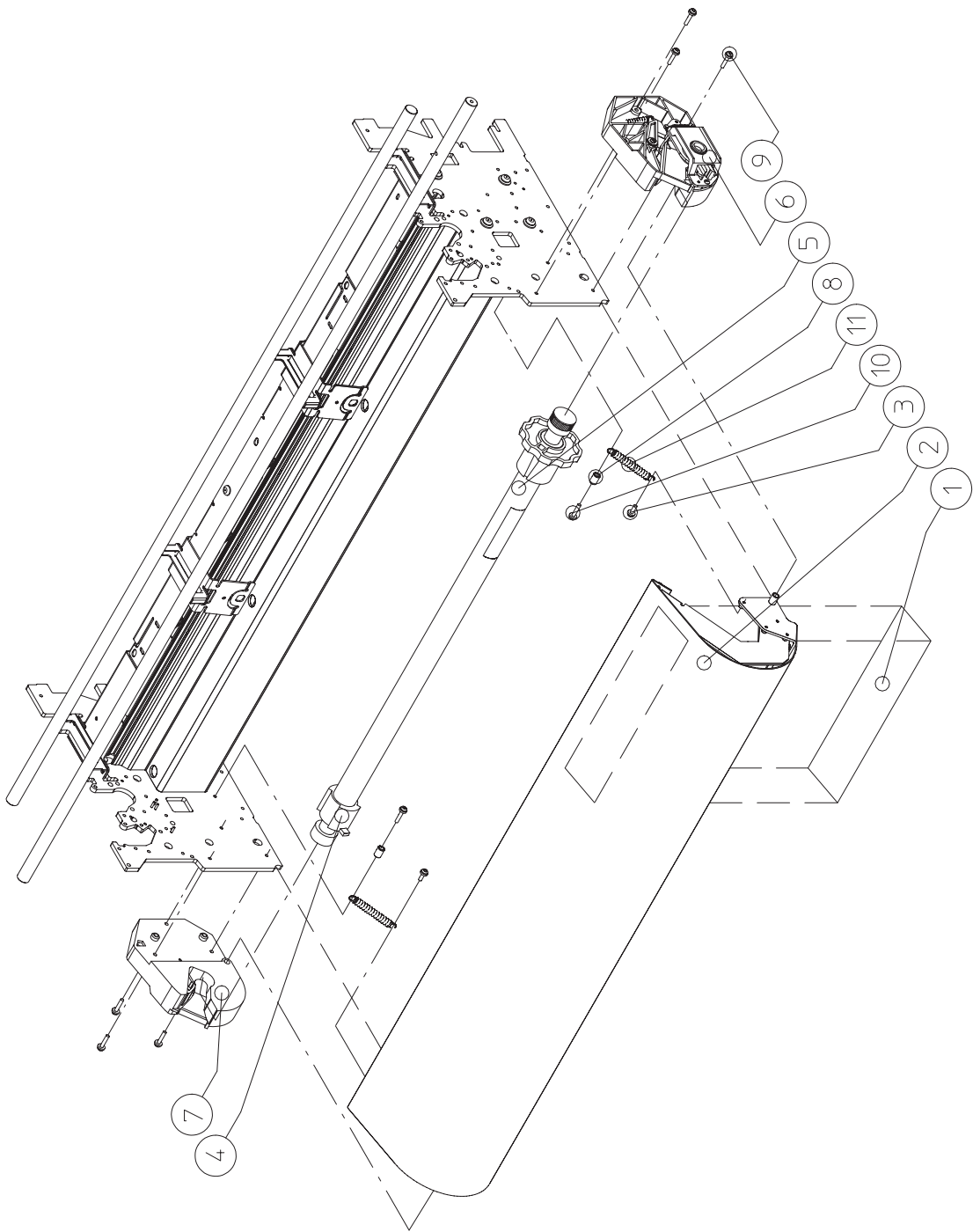




Right End-Cover and Trim

Roll-Feed Components

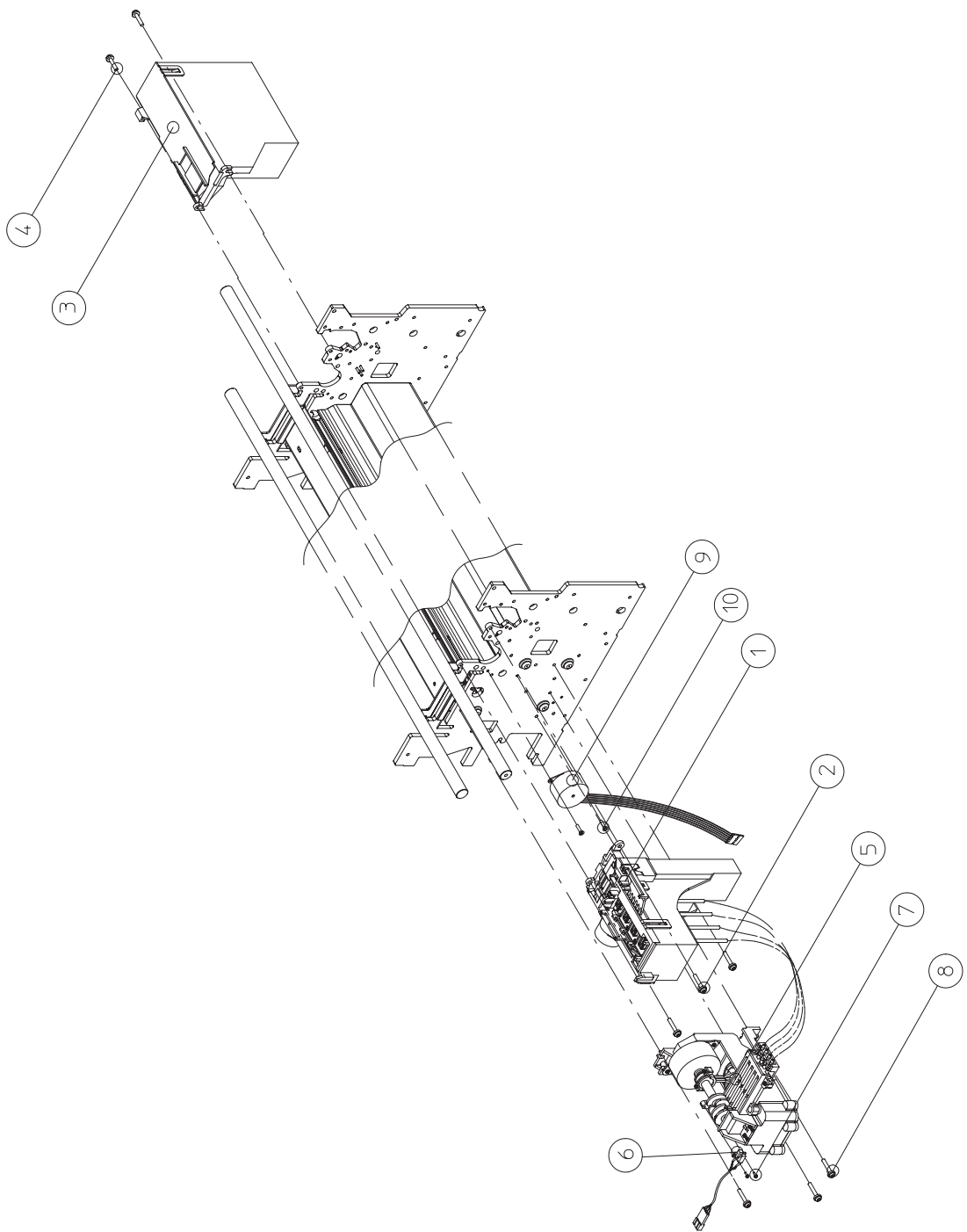
Reference on Drawing	HP Part Number	Quantity	Description
1	C1633-00084	1	Label
■ 2	C4705-60084	1	Roll-Feed Cover Assembly (D/A1-size)
■	C4706-60084	1	Roll-Feed Cover Assembly (E/A0-size)
3	0515-2253	2	Screw
4	C2858-40043	1	Spindle Spacer
5	C2847-60093	1	Spindle Assembly (D/A1-size)
	C2848-60011	1	Spindle Assembly (E/A0-size)
■	C3172-60003	1	Spindle Assembly (D/A1-size) (Available only for China)
■	C3173-60003	1	Spindle Assembly (E/A0-size) (Available only for China)
■ 6	C4704-60199	1	Right Roll-Feed Module
7	C4704-60082	1	Left Roll-Feed Module
8	0380-3073	1	Spacer
9	0515-2248	1	Screw
10	C2847-20017	1	Screw
■ 11	-	1	Roll-Feed Cover Spring (D/A1-size) (Included in Item 2)
■	-	1	Roll-Feed Cover Spring (E/A0-size) (Included in Item 2)



Roll-Feed Components

Service Station and Primer Assembly

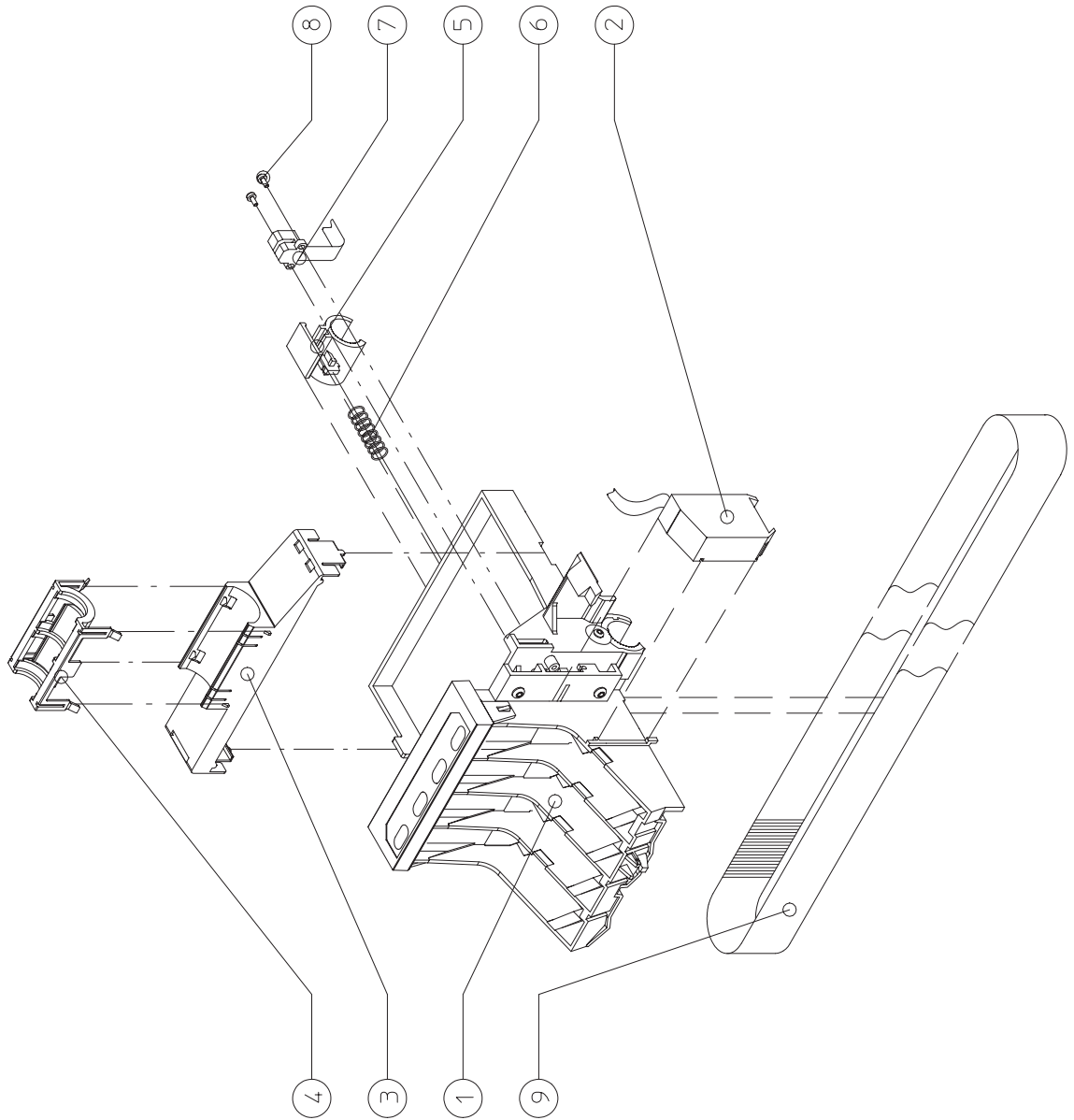
Reference on Drawing	HP Part Number	Quantity	Description
1	C3195-60165	1	Service Station Assembly
2	0515-2282	1	Screw
3	C3195-60027	1	Spittoon Assembly
4	0515-2282	1	Screw
5	C3195-60059	1	Primer Assembly
6	C2858-60007	1	Primer Sensor Assembly
7	0624-0647	1	Screw
8	0515-1743	1	Screw
9	C3195-60009	1	Bail Stepper Assembly
10	0515-2299	1	Screw



### Service Station and Primer Assembly

Carriage Assembly

Reference on Drawing	HP Part Number	Quantity	Description
■ 1	C4705-60054	1	Carriage Assembly (HP DesignJet 700)
	C3195-60143	1	Carriage Assembly (HP DesignJet 750C/750C Plus/755CM)
■ 2	Deleted		
3	C3195-40027	1	Clamp
4	C3195-40026	1	Clamp
5	C3195-40064	1	Rear Bushing
6	C1633-80014	1	Carriage Spring
7	C2858-60010	1	IC Encoder Assembly
8	0624-0680	1	Screw
■ 9	C4705-60082	1	Carriage Belt (D/A1-size)
■	C4706-60082	1	Carriage Belt (E/A0-size)
-	C4705-40001	1	Cartridge Cover (HP DesignJet 700 Only)

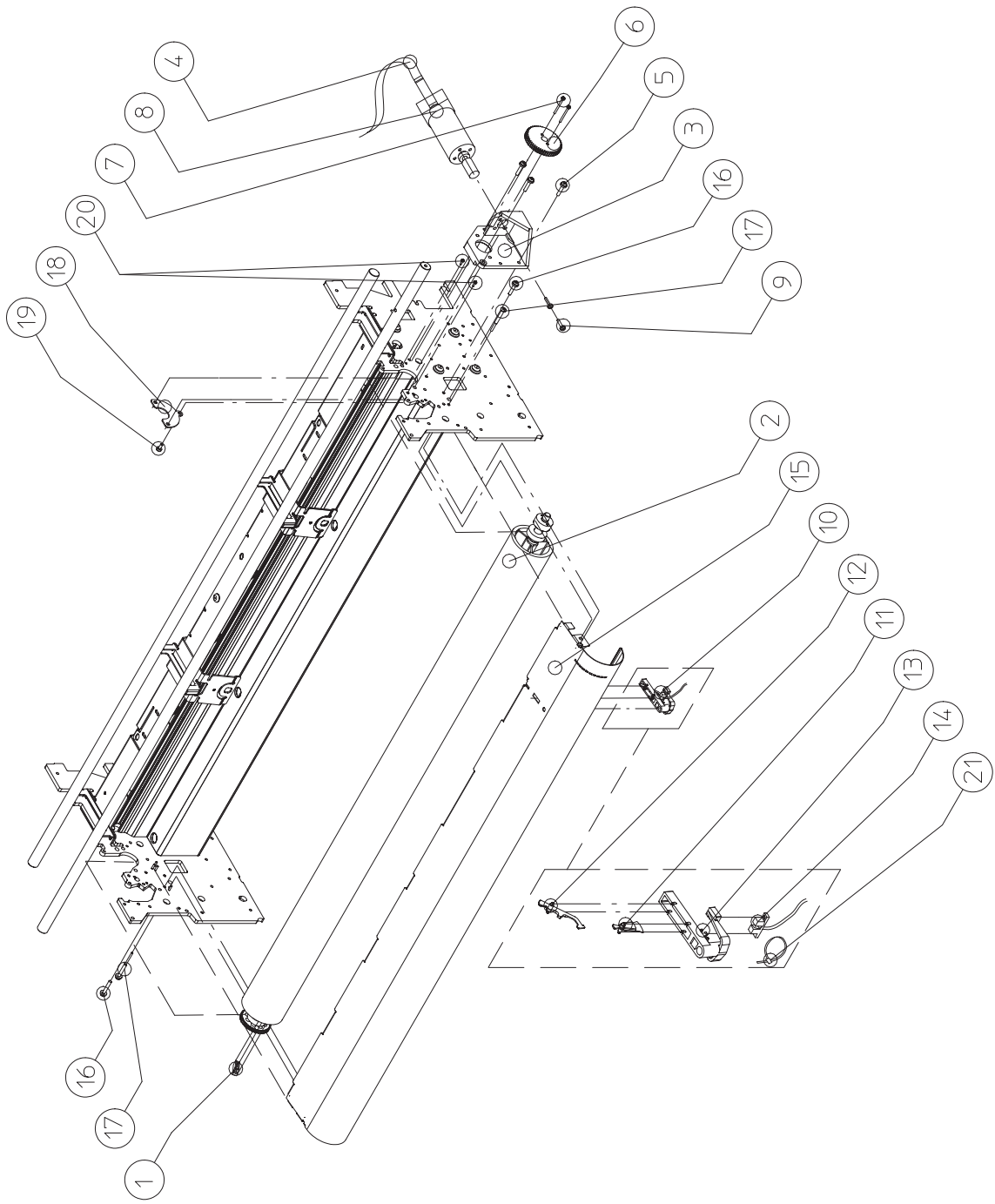


Carriage Assembly

## Media Entry Path

Reference on Drawing	HP Part Number	Quantity	Description
■ 1	-	1	Mark Encoder (Included in Item 2)
2	C4699-60042	1	Drive Roller (D/A1-size)
	C4700-60042	1	Drive Roller (E/A0-size)
■ 3	-	1	Media-Motor Mount (Included in Item 8)
4	C3195-60102	1	Encoder Cable
5	0515-2248	1	Screw
6	-	1	Helical Gear (Included with Media Motor Assembly)
7	0515-1349	1	Screw
■ 8	C4705-60068	1	X-axis Motor Assembly (Includes Item 3)
9	0515-0382	1	Screw
10	C3190-60140	1	Media Sensor Assembly
11	-	1	Edge Measuring Lever (Included in Item 10)
12	-	1	Secondary Lever (Included in Item 10)
13	-	1	Media Sensor Holder (Included in Item 10)

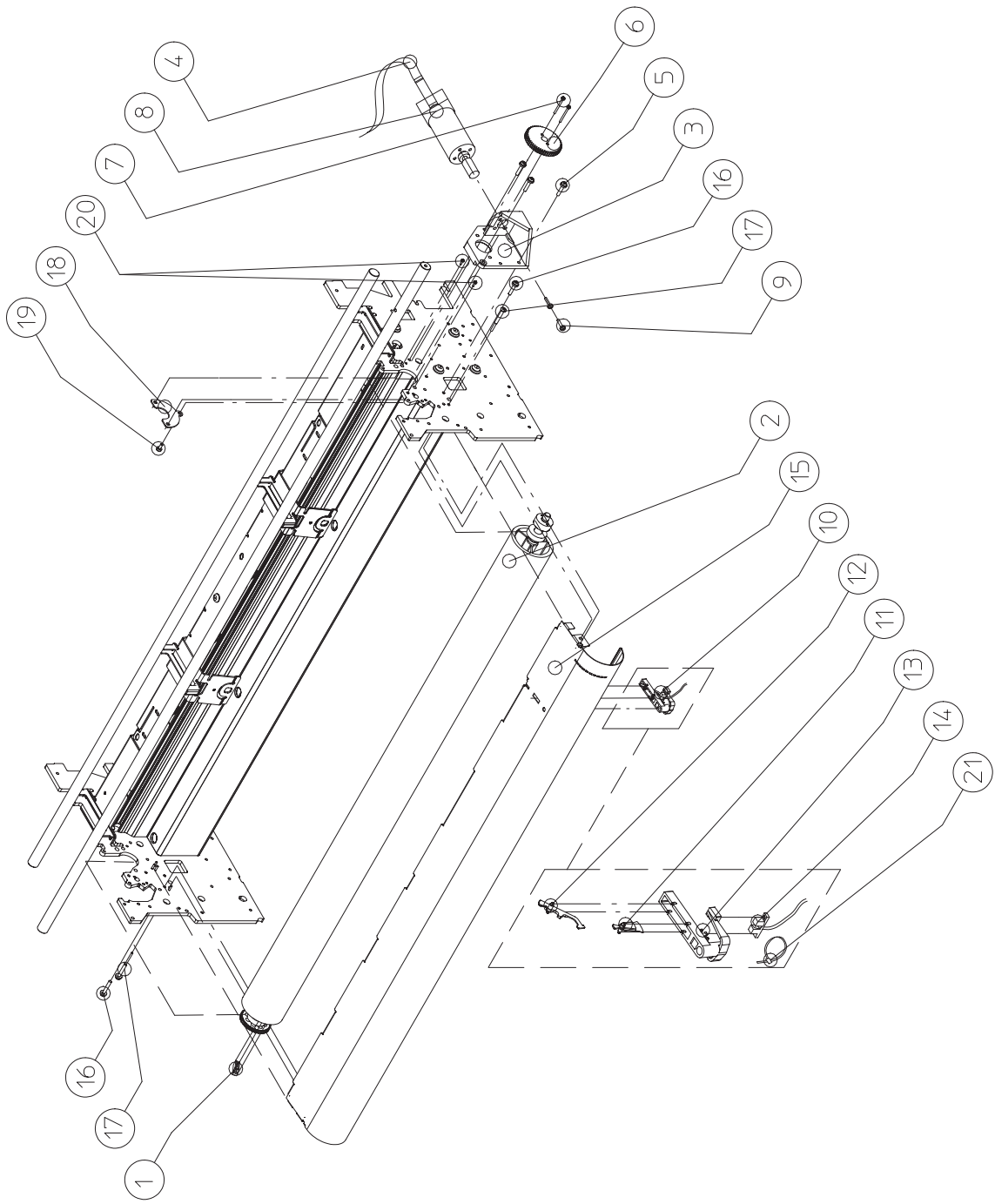




Media Entry Path

## Media Entry Path (Continued)

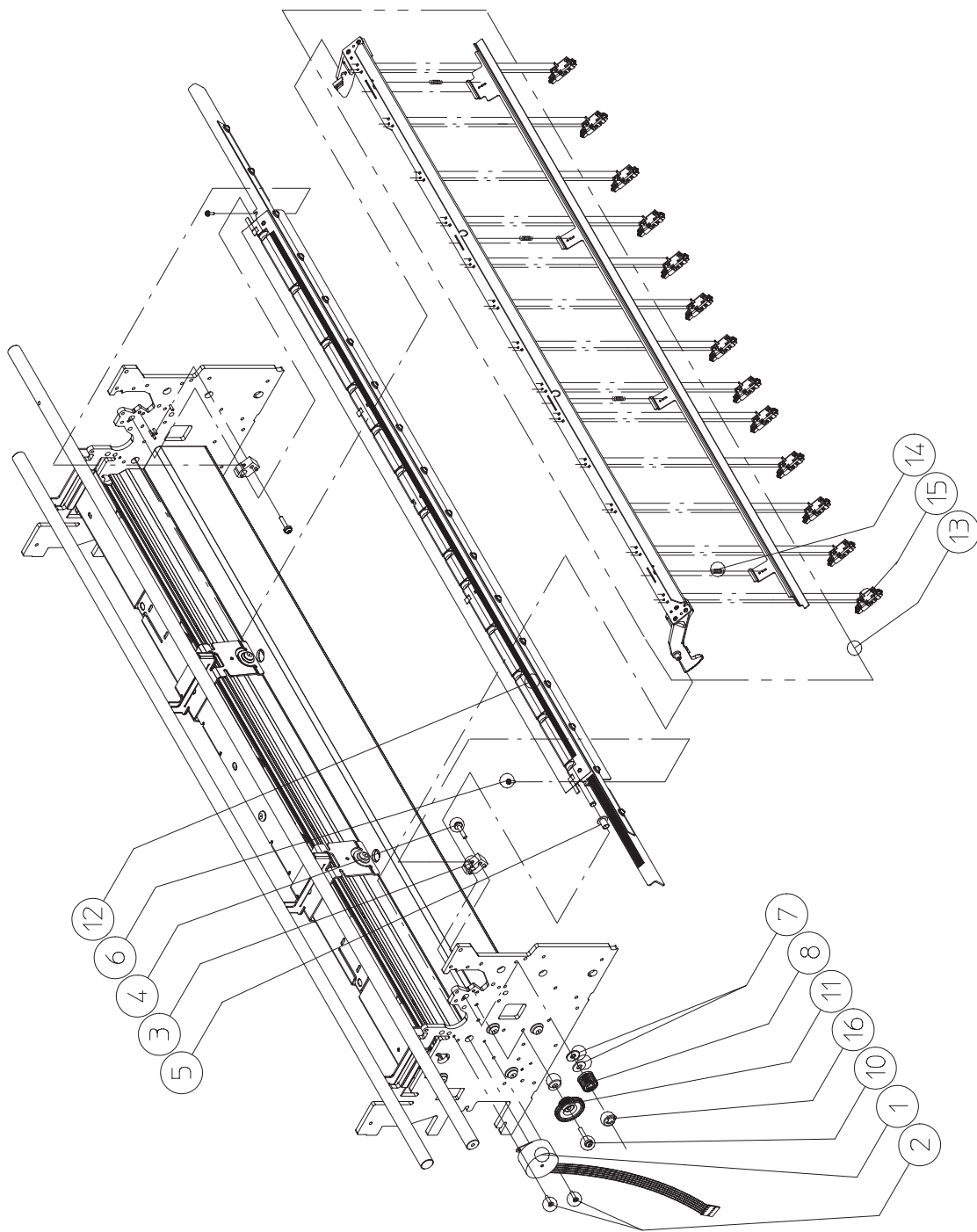
Reference on Drawing	HP Part Number	Quantity	Description
14	-	1	Media Sensor (Included in Item 10)
■ 15	C3195-60173	1	Entry Platen Assembly (D/A1-size)
■	C3196-60173	1	Entry Platen Assembly (E/A0-size)
16	0515-1743	1	Screw
17	0515-2337	1	Screw
18	C1633-00009	1	Axial Bias Plate
19	0515-2278	1	Screw
20	0515-0382	1	Screw
21	1400-0577	1	Cable Tie



Media Entry Path

Bail and Overdrive

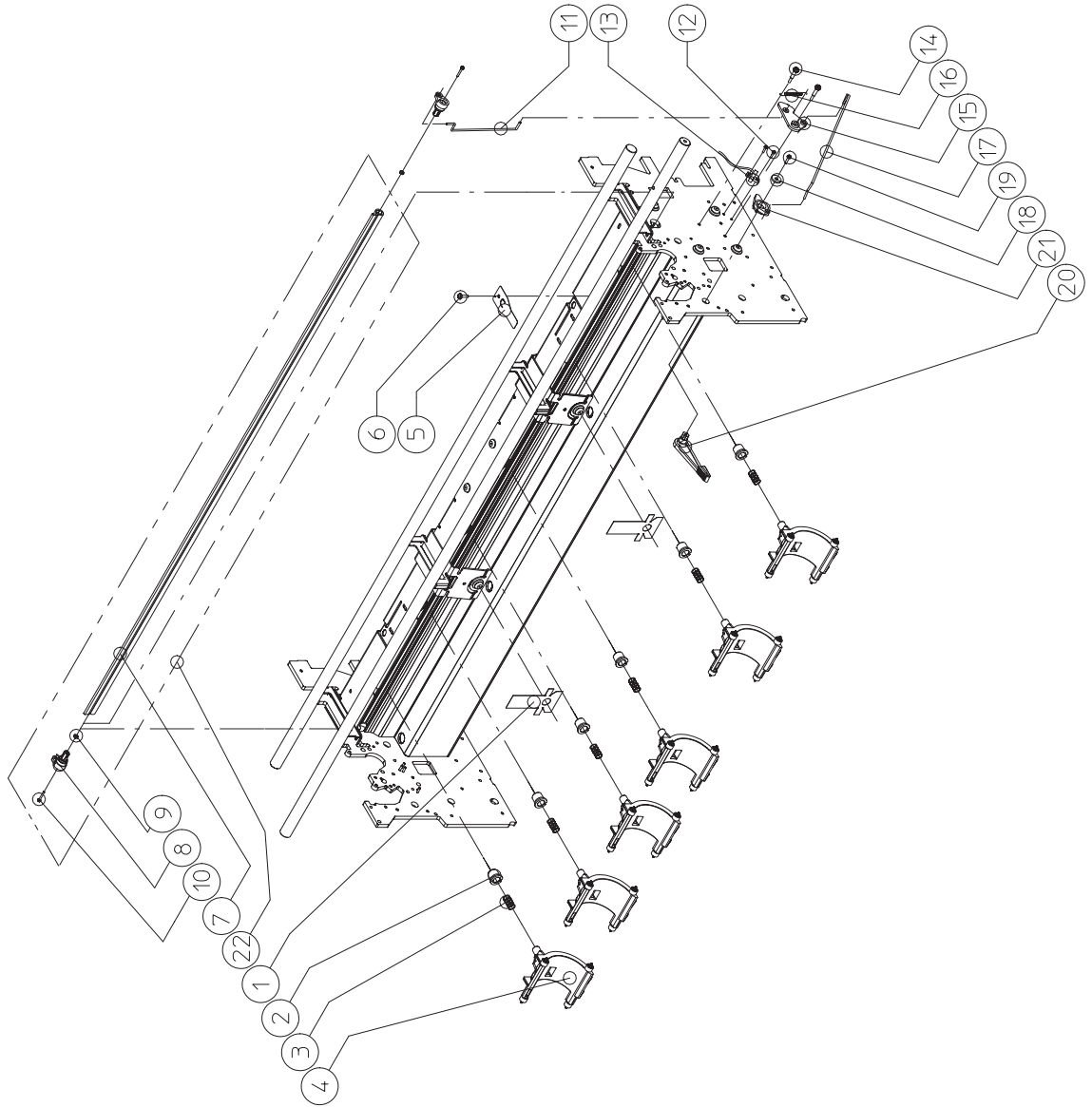
Reference on Drawing	HP Part Number	Quantity	Description
1	C3195-60009	1	Bail Stepper Assembly
2	0515-2299	1	Screw
3	C1633-40089	1	Mount Block
4	0515-1743	1	Screw
5	1410-0708	1	Bearing Sleeve
6	0515-2246	1	Screw
7	3050-1381	1	Washer
8	C1633-60030	1	Overdrive Gear Assembly
9	Deleted		
10	C2847-20017	1	Screw
11	C1633-40019	1	Cluster Gear
12	C3195-60148	1	Overdrive Assembly (D/A1-size)
	C3196-60148	1	Overdrive Assembly (E/A0-size)
13	C3195-60118	1	Bail Assembly (D/A1-size)
	C3196-60118	1	Bail Assembly (E/A0-size)
14	C2858-80002	1	Spring
■ 15	C4699-60045	1	Starwheel Assembly
16	0510-0083	1	Retainer Ring



Bail and Overdrive

## Pinch-Arm Assembly

Reference on Drawing	HP Part Number	Quantity	Description
1	C1633-00059	1	Media Diverter
2	C1633-40082	1	Pinch-Arm Bushing
3	C1633-80005	1	Pinch-Arm Spring
■ 4	C4705-60091	1	Pinch-Arm Assembly
5	C1633-00100	1	Edge Director
6	0515-0382	1	Screw
7	C2847-20005	1	Pinch-Arm Bar Cam (D/A1-size)
	C1633-20012	1	Pinch-Arm Bar Cam (E/A0-size)
8	-	2	Cam Journal (Included in Item 22)
9	-	2	Nut (Included in Item 22)
10	-	2	Screw (Included in Item 22)
11	-	1	Rear Wire Linkage (Included in Item 22)
12	-	2	Screw (Included in Item 22)
13	-	1	Pinch-Arm Sensor (Included in Item 22)
14	-	3	Shoulder Screw (Included in Item 22)
15	-	1	Rocker Plate (Included in Item 22)
16	-	1	Spring (Included in Item 22)
17	-	1	Front Wire Linkage (Included in Item 22)
18	-	1	Flat Washer (Included in Item 22)
19	-	1	Screw (Included in Item 22)
20	-	1	Pinch-Arm Lever (Included in Item 22)
21	-	1	Cam Drive (Included in Item 22)
22	C3195-60116	1	Pinch-Arm Lift Assembly

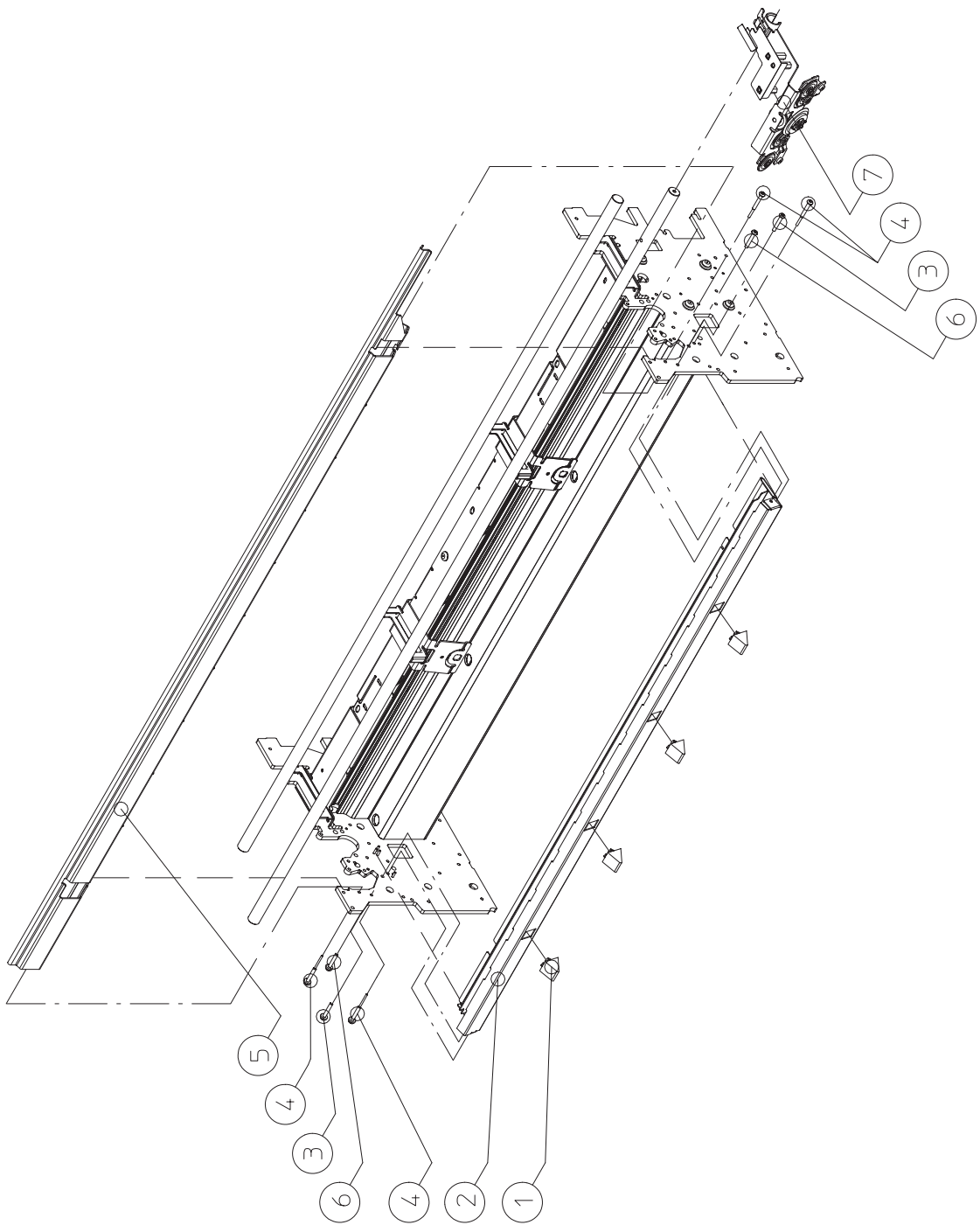


Pinch-Arm Assembly

Stardguard Assembly

Reference on Drawing	HP Part Number	Quantity	Description
1	C3195-40045	4	Media Guide
2	C3195-60029	1	Cutter Enclosure Assembly (D/A1-size)
	C3196-60029	1	Cutter Enclosure Assembly (E/A0-size)
3	0515-1743	1	Screw
4	0515-2337	1	Screw
5	C2847-60009	1	Stardguard Assembly (D/A1-size)
	C1633-60032	1	Stardguard Assembly (E/A0-size)
6	0515-2248	1	Screw
7	C2858-60021	1	Cutter Assembly





Stardguard Assembly

Description	HP Part Number	
Repackaging Kit	<b>DesignJet 700/750C/750C Plus/755CM</b>	
	D/A1 Size: C3195-60113	E/A0 Size: C3196-60113
<b>User Documentation</b>	<b>DesignJet 700/ 750C Plus</b>	<b>DesignJet 750C</b>
Chinese	C4705-60030	C3195-60070
English	C4705-60021	C3195-60061
French	C4705-60025	C3195-60065
German	C4705-60024	C3195-60064
Italian	C4705-60027	C3195-60067
Japanese	C4705-60028	C3195-60068
Korean	C4705-60022	C3195-60062
Portuguese	C4705-60029	C3195-60069
Spanish	C4705-60026	C3195-60066
Taiwanese	C4705-60023	C3195-60063
<b>User Documentation</b>	<b>DesignJet 755CM (Model A)</b>	<b>DesignJet 755CM (Model B)</b>
Chinese	-	C3198-60060
English	C3198-60001	C3198-60051
French	C3198-60005	C3198-60055
German	C3198-60004	C3198-60054
Italian	C3198-60007	C3198-60057
Japanese	-	-
Korean	-	C3198-60052
Portuguese	C3198-60009	C3198-60059
Spanish	C3198-60006	C3198-60056
Taiwanese	-	-

Description	HP Part Number	
<b>Front-Panel Overlay</b>	<b>DesignJet 700</b>	<b>DesignJet 750C/ 750C Plus/755CM</b>
Chinese	C4705-60040	C3195-60050
English	C4705-60031	C3195-60041
French	C4705-60035	C3195-60045
German	C4705-60034	C3195-60044
Italian	C4705-60037	C3195-60047
Japanese	C4705-60038	C3195-60048
Korean	C4705-60032	C3195-60042
Portuguese	C4705-60039	C3195-60049
Spanish	C4705-60036	C3195-60046
Taiwanese	C4705-60033	C3195-60043
<b>Other Documentation</b>	<b>DesignJet 700/ 750C/750C Plus/</b>	<b>DesignJet 755CM</b>
Software Application Notes	C4705-90006	C3195-90121
	<b>DesignJet 700/750C/750C Plus/755CM</b>	
HP-GL/2 and HP RTL Reference Guide	5959-9733	
HP-GL/2 and HP RTL Peripherals Product Comparison Guide	5959-9734	
Supplies Source (booklet)	5963-5162E	
Media Reference Guide	5963-5220 / 5963-5224	

Description	HP Part Number	
<b>Print Cartridges</b>	<b>DesignJet 700</b>	<b>DesignJet 750C/ 750C Plus/755CM</b>
Black	51645A	51645A
Cyan	–	51644C
Magenta	–	51644M
Yellow	–	51644Y
<b>Plug-In Memory (DRAM SIMM)</b>	<b>DesignJet 700/750C/750C Plus/755CM</b>	
4-Mbyte SIMM	C3132A	
8-Mbyte SIMM	C3133A	
16-Mbyte SIMM	C3146A or D2297A	
32-Mbyte SIMM	D3578A	
<b>PostScript Upgrade Kit (ROM SIMM and driver)</b>	<b>DesignJet 700/750C/750C Plus/755CM</b>	
	C4707A	
<b>HP Color Management Kit</b>	<b>DesignJet 700/750C/750C Plus/755CM</b>	
	C4698A	

# Interface Cables

## Parallel (Bi-Tronics/Centronics) Interface Cables

Computer	HP Part Number	Cable length	Connector type at computer end of cable
	DesignJet		
Applicable to all computers	C2950A	2.1 m (6.9 ft)	25-pin male
	C2951A	3.0 m (9.8 ft)	25-pin male

## Serial (RS-232-C) Interface Cables

Computer	HP Part Number	Cable length	Connector type at computer end of cable
	DesignJet		
<p>HP Vectra or HP 24541A/B serial interface card (9-pin connector).</p> <p>HP 9000 workstations using 9-pin connectors.</p> <p>IBM AT and compatible computers using 9-pin serial connectors.</p>	24542G	3.0 m (9.8 ft)	9-pin female
<p>HP Vectra PC with HP 24541A/B dual serial interface card using the 25-pin connector.</p> <p>HP Apollo workstation using an SPE (Serial/Parallel Expansion) option and supplied adapter cable.</p> <p>DEC VAX.</p> <p>Sun workstation.</p>	13242G	5.0 m (16.4 ft)	25-pin male
IBM PC, PC/XT, IBM PS/2 and compatible computers	C2913A	1.2 m (3.9 ft)	25-pin female
	17255D	1.2 m (3.9 ft)	25-pin female
Apple Macintosh Plus, SE, II Series, Classic, LC family, Quadra family, PowerBook, PowerMac	17302A	1.5 m (4.9 ft)	8-pin male mini-DIN
Extension cable	31391A	5 m (16.4 ft)	25-pin female

## Notes